

12 AS 1010 TO ZF-ASTronic mid (Truck)

Automatic transmission system for mid-range trucks



Transmission type	12 AS 1010 TO
Input torque	max. 1000 Nm
Weight without auxiliaries	≈ 183 kg*
Oil capacity for initial filling	≈ 7.8 dm ³
Oil grade	as specified in ZF List of Lubricants TE-ML 02
Clutch bell housing	integrated; SAE 2 standard / SAE 1 optional

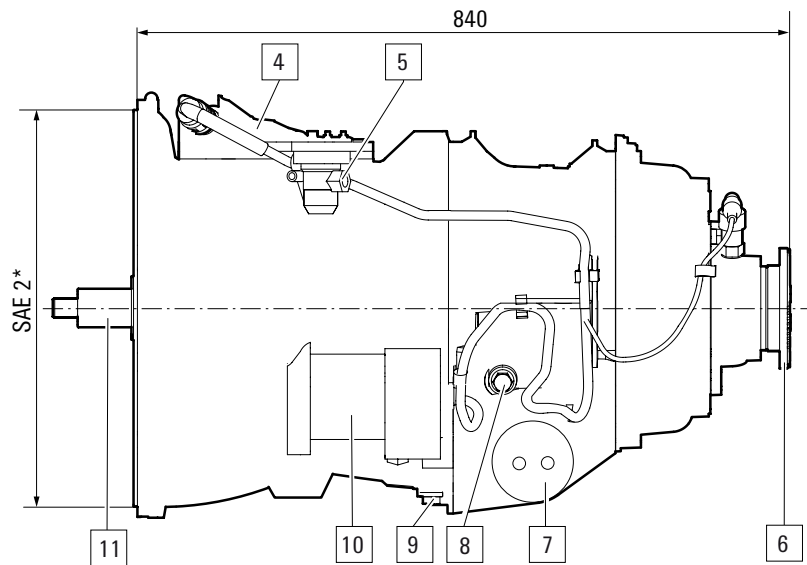
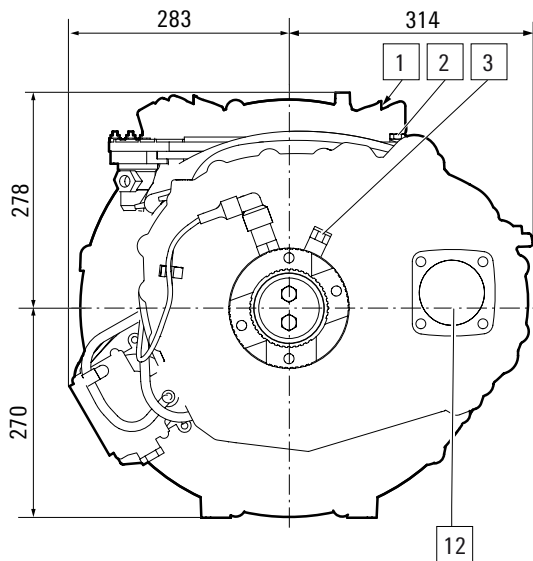
* w/o clutch release, w/o oil fill

Standard ratios in gear

1	2	3	4	5	6	7	8	9	10	11	12	R1	R2
10.37	8.43	6.49	5.27	4.18	3.40	2.48	2.02	1.55	1.26	1.00	0.81	10.56	8.58

12 AS 1010 TO

Installation dimensions



* SAE1 optional available

- | | | | |
|---|---|----|---|
| 1 | Electrical connection | 8 | Oil fill and oil overflow check |
| 2 | Breather | 9 | Oil drain |
| 3 | Speedo sensor | 10 | Clutch module |
| 4 | Gearshift module | 11 | Input |
| 5 | Compressed air connection | 12 | Connection point for clutch-dependent PTO |
| 6 | Output | | |
| 7 | Heat exchanger (optional, application specific) | | |