

# 12 AS 1220 TD ZF-ASTronic mid (Truck)

Automatic transmission system for mid-range trucks



<b>Transmission type</b>	<b>12 AS 1220 TD</b>
<b>Input torque</b>	max. 1200 Nm
<b>Weight</b> without auxiliaries	≈ 201 kg*
<b>Oil capacity</b> for initial filling	≈ 9.3 dm <sup>3</sup>
<b>Oil grade</b>	as specified in ZF List of Lubricants TE-ML 02
<b>Clutch bell housing</b>	integrated; <b>SAE 1</b> standard / <b>SAE 2</b> optional

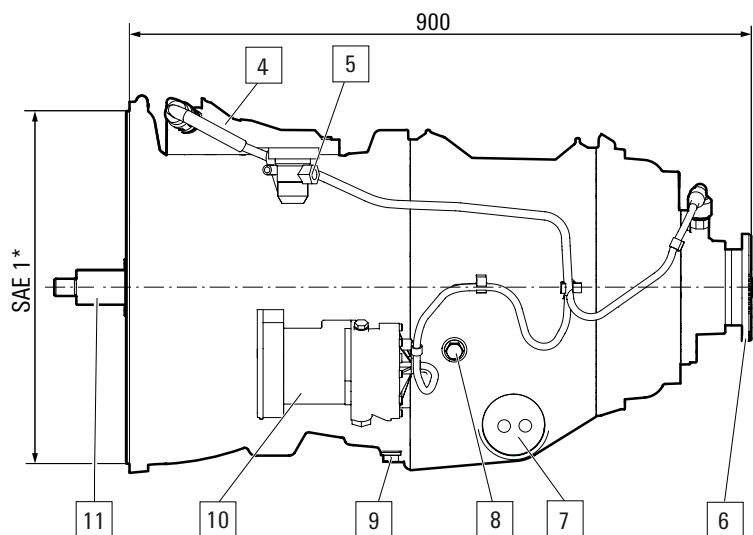
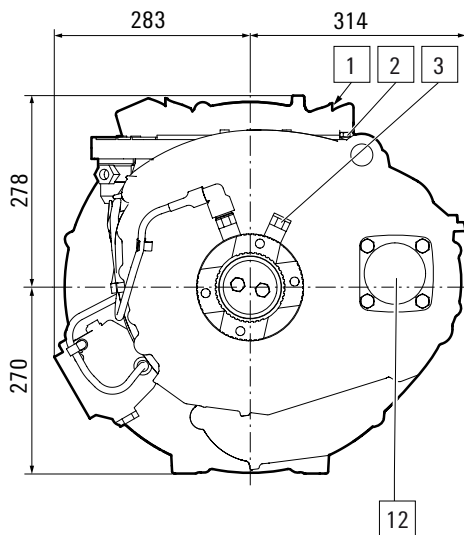
\* w/o clutch release, w/o oil fill

### Standard ratios in gear

1	2	3	4	5	6	7	8	9	10	11	12	R1	R2
12.84	10.37	8.03	6.49	5.18	4.18	3.07	2.48	1.92	1.55	1.24	1.00	13.07	10.56

# 12 AS 1220 TD

## Installation dimensions



\* SAE2 optional available

- |   |   |    |   |
|---|---|----|---|
| 1 | Electrical connection                           | 8  | Oil fill and oil overflow check           |
| 2 | Breather  | 9  | Oil drain                                 |
| 3 | Speedo sensor                                   | 10 | Clutch module                             |
| 4 | Gearshift module                                | 11 | Input                                     |
| 5 | Compressed air connection                       | 12 | Connection point for clutch-dependent PTO |
| 6 | Output  |    |   |
| 7 | Heat exchanger (optional, application specific) |    |   |