

# 6 AS 700 TO ZF-ASTronic lite (Truck)

Automatic transmission system for mid-range trucks



- 6 AS 700 TO - Basic transmission
- 6 AS 705 TO - Transmission with clutch-dependent PTO

<b>Transmission type</b>	<b>6 AS 700 TO</b>
<b>Input torque</b>	max. 700 Nm
<b>Weight*</b>	≈ 119 kg
<b>Oil capacity</b> for standard installation	≈ 6.0 dm <sup>3</sup>
<b>Oil grade</b>	as specified in ZF List of Lubricants TE-ML 02
<b>Clutch bell housing</b>	SAE2, integrated

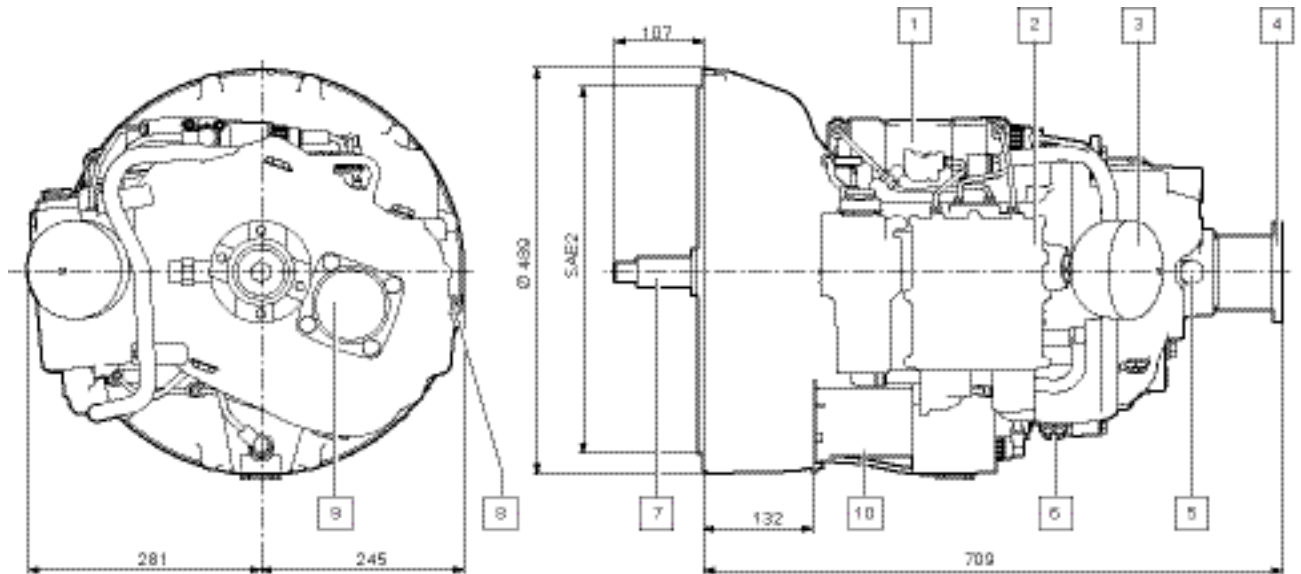
\*without transmission fill and ancillary equipment, incl. oil fill of automating system

### Standard ratios in gear

1	2	3	4	5	6	R
6.02	3.32	2.07	1.40	1.00	0.79	5.58

# 6 AS 700 TO

## Installation dimensions



- |   |  |
|---|--|
| <b>1</b> Transmission actuator  | <b>6</b> Oil drain                                 |
| <b>2</b> Powerpack with integrated transmission control (electronic control unit) | <b>7</b> Input shaft, profile SAE 10C              |
| <b>3</b> Diaphragm accumulator  | <b>8</b> Oil fill and oil overflow check           |
| <b>4</b> Output   | <b>9</b> Connection point for clutch-dependent PTO |
| <b>5</b> Speedo sensor  | <b>10</b> Clutch actuator                          |