

6 AS 1000 TO ZF-AS Tronic lite (Truck)

Automatic transmission system for mid-range trucks



- 6 AS 1000 TO - Basic transmission
- 6 AS 1005 TO - Transmission with clutch-dependent PTO

Transmission type	6 AS 1000 TO
Input torque	max. 1050 Nm
Weight*	≈ 152 kg
Oil capacity for standard installation	≈ 9.3 dm ³
Oil grade	as specified in ZF List of Lubricants TE-ML 02
Clutch bell housing	SAE2, integrated

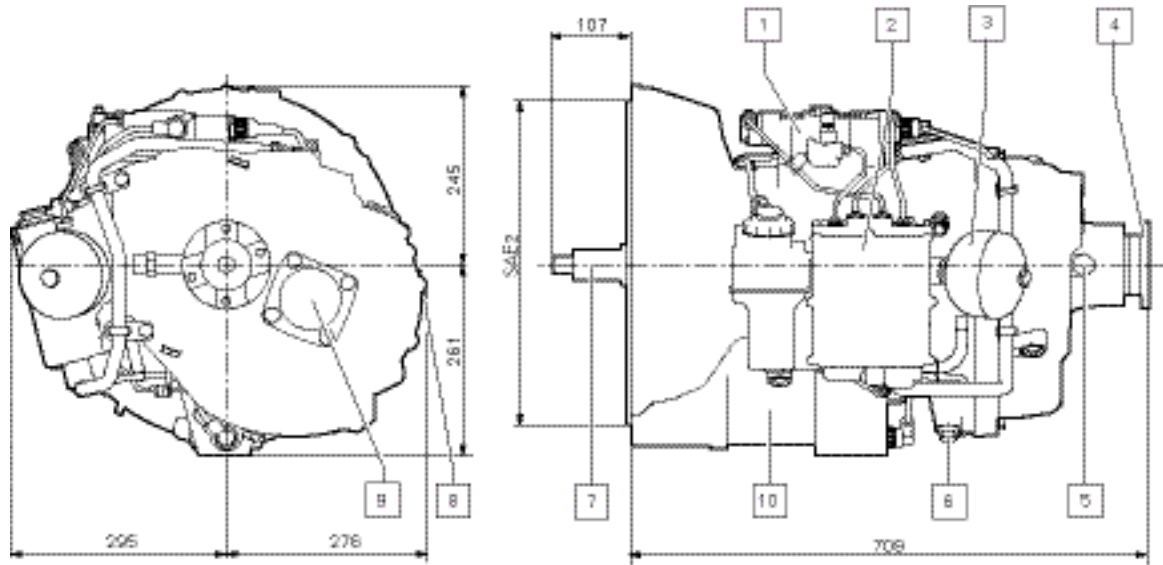
*without transmission fill and ancillary equipment, incl. oil fill of automating system

Standard ratios in gear

1	2	3	4	5	6	R
6.75	3.60	2.13	1.39	1.00	0.78	6.06

6 AS 1000 TO

Installation dimensions



- | | | | |
|---|--|----|---|
| 1 | Transmission actuator | 6 | Oil drain |
| 2 | Powerpack with integrated transmission control (electronic control unit) | 7 | Input shaft, profile SAE C10 |
| 3 | Diaphragm accumulator | 8 | Oil fill and oil overflow check |
| 4 | Output | 9 | Connection point for clutch-dependent PTO |
| 5 | Speedo sensor | 10 | Clutch actuator |